



FC-94





PURPOSE-BUILT FOR THE JOB YOU DO.

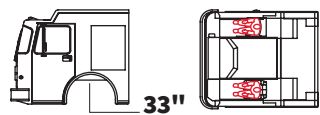
A custom chassis with commercial appeal.

At Spartan, you're not an afterthought. With so much riding on every response, make sure your truck rides on a cab chassis that is purpose built from the ground up for the job you do. The FC-94 meets the requirements of a commercial chassis but delivers more in a custom configuration with unmatched safety, performance, and strength.

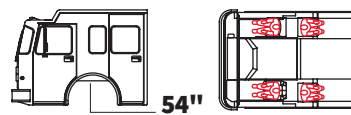
Purpose built to handle the heavy-duty requirements of pumpers, tankers, and rescues, the FC-94 is an NFPA compliant all-aluminum 94" wide cab built to keep crews comfortable and safe with high roof lines, flat floors, multiple seat and storage options, and a cramp angle that will deliver superior maneuverability in tight and congested areas.



LTD | 2-DOOR



MFD | 4-DOOR



The Purpose-Built Advantage.

The Spartan FC-94 offers fire departments a cab and chassis custom designed to meet their specific mission critical requirements.

	PERFORMANCE	ADVANTAGE
Vocation	Emergency Vehicles	Purpose-Built
Cab Width	94"	Spacious cab
Crew Width	87"	Increased crew space
Interior (Floor to Ceiling)	65" Crew 57.5" Front	More space and better visibility
Head Room (Driver & Officer)	47"	More head room
Cramp Angle	50°	Increased maneuverability
Front GAWR	Up to 21.5k	Strength, designed for heavy-duty applications
Rear GAWR	Single: Up to 31.5k Tandem: Up to 48k	
Interior Finish	Aluminum	Durable, heavy-duty

Purpose-Built

Built and tested to handle the requirements of pumper, tanker, and rescue configurations.

Safe. Tested. Proven.

NFPA compliant with a reinforced cab structure that exceeds FMVSS safety standards.

Safe & Spacious Cab

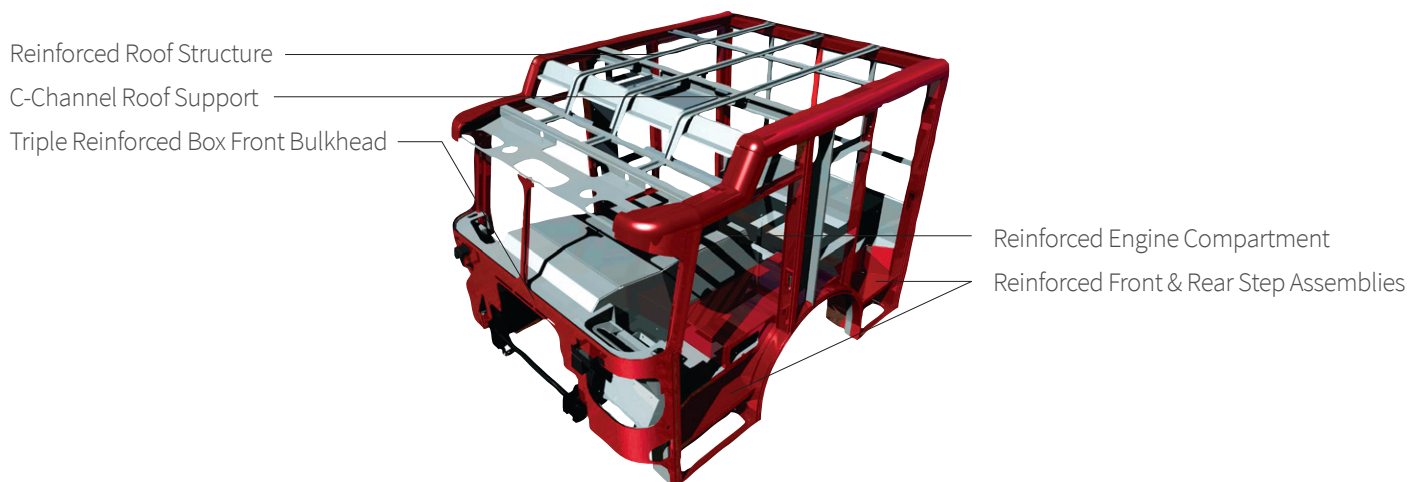
Flat floors, low step heights, and raised roof lines give firefighters more space inside the cab.

Maneuverability

Designed to handle heavy duty applications with a low center of gravity and front axle that is located behind the driver and officer delivers improved maneuverability on scene.

Heavy-Duty Aluminum Cab.

Construction methods and material selections are optimized to bring you the most robust frame on the market to hold up to the rigors and punishment dished out by hard-working fire departments.



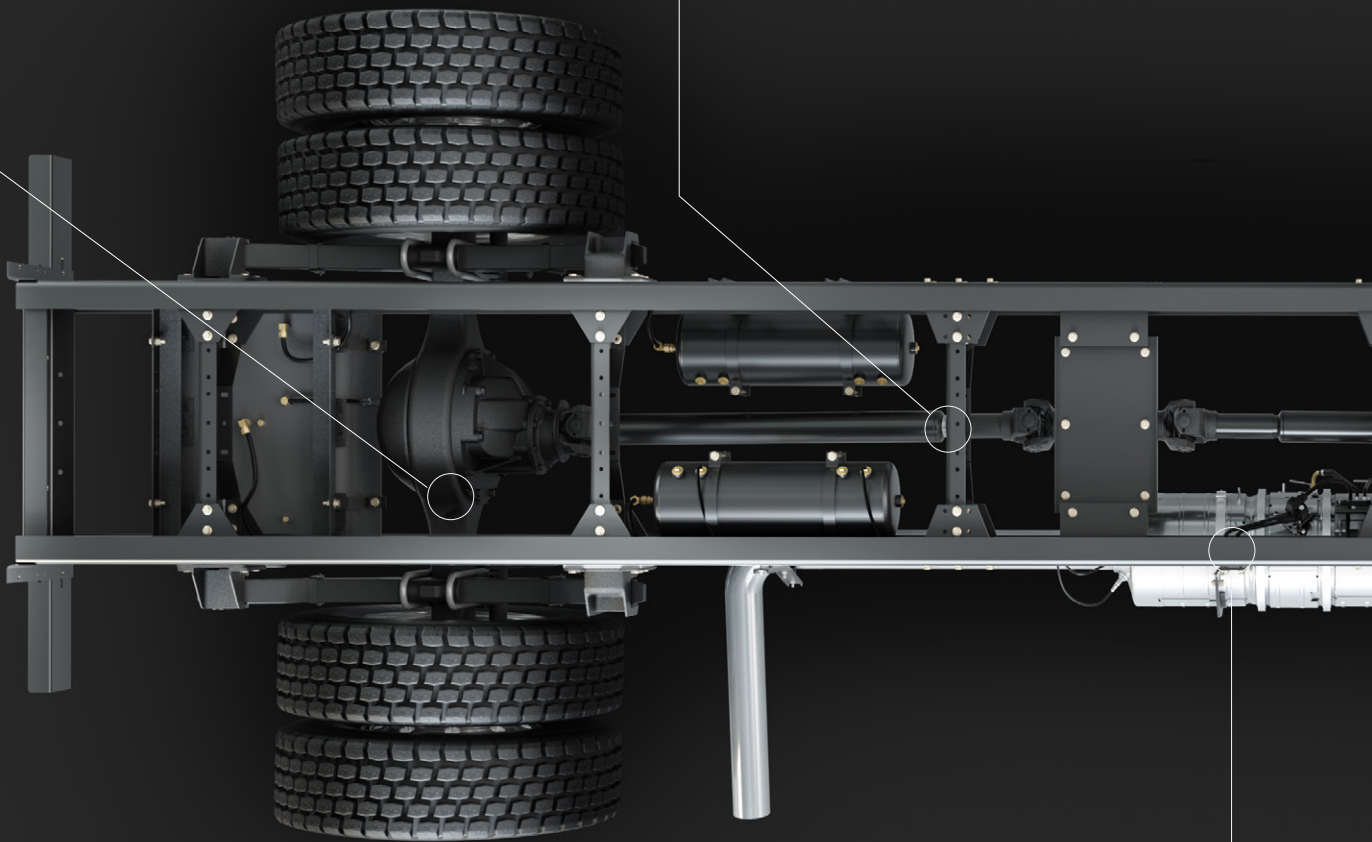
OUT MANEUVER. OUT PERFORM. OUTLAST.

31,500 GAWR-Rear Axle

With up to a 31,500 pound GAWR-Rear Single Axle or 48,000 pound GAWR Tandem Axle, Spartan offers the strongest rear axle used in fire service — stout enough to safely support and transport heavier pumpers, tankers, and rescues.

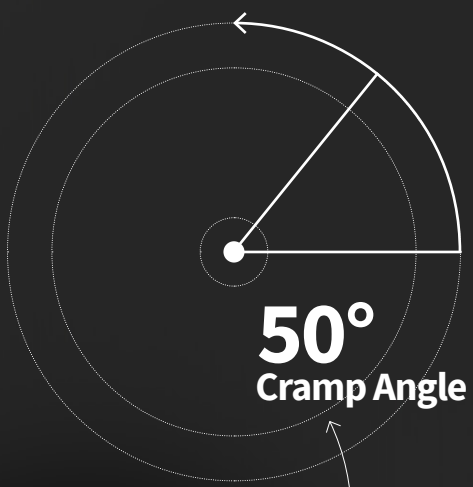
Remarkable Strength

Cross-members are gusseted and mounted with grade eight flanged fasteners. Finite Element Analysis (FEA) validates the strength and performance by monitoring stress points for material efficiency, and strain gauge analysis testing verifies the structural integrity and compliance with NFPA design standards.



Heat Rated Wiring

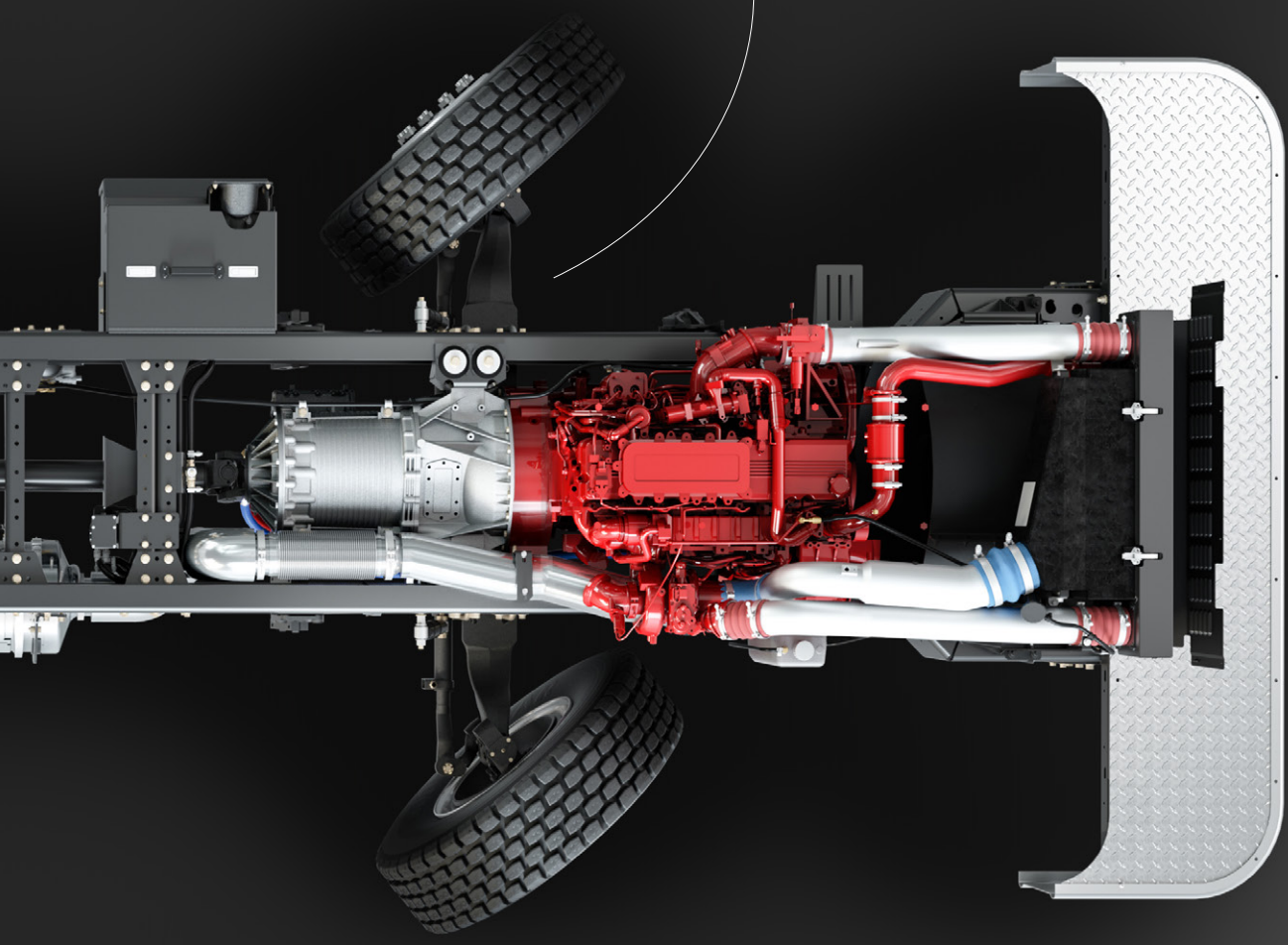
Heat rated wiring is standard delivering greater longevity. All wiring is labeled every 6" for ease of troubleshooting.



**50°
Cramp Angle**

Tight Turn Radius

The most maneuverable chassis on the market with cramp angles up to 50 degrees.



A Strong, Long-lasting Foundation

Our powder coated steel chassis frame rails are built to last with low maintenance costs—holding up to the rigors and punishment dished out by hard-working fire departments.



Safe and Spacious Cab.

Designed with firefighters in mind by offering the most spacious and ergonomic cabs in the industry.

Flat floors, low step heights, and taller, wider cab doors allow firefighters to get in and out quickly at the scene. The Spartan raised roof extends over the driver and officer, making it easier to maneuver within the cab. The FC-94 can comfortably seat up to six (6) crew members. Designed to be quieter and more comfortable, we've maximized every square inch of our cabs without increasing the 94" width.

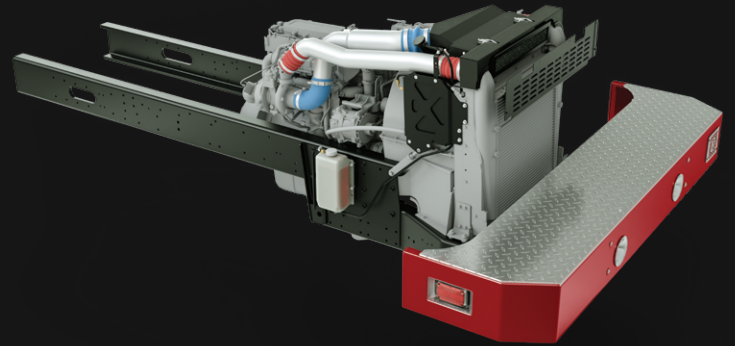
Flat floor design

High Air Intake System.

Communities at risk of severe weather and flooding need emergency service and equipment that can weather the storm. An apparatus with low air intake can be easily damaged and disabled if water enters the engine—stopping a response vehicle in its tracks. And causing high repair costs on high-value equipment.

Spartan High Air Intake design mitigates the risk with fewer connections and places the air filter and ember separator above the radiator and turbo connection.

The air intake is placed higher behind the cab grille to help prevent potential damage from water admission.



Air filter replacement can be easily done without tools and without compromising the clean side of the intake system.



Heavy-Duty Dash & Custom Controls.

Spartan's three-piece heavy duty aluminum dash is built to withstand the test of time with an ergonomic design and durable finish.

Controls and switches are conveniently located at arm level for safe activation and can be customized to meet your response needs. Easily access and service all components and switches through a center panel located on top of the dash.

Product images shown are for illustration purposes only and may vary due to available option content.

CUSTOM BUILT FOR THE JOB YOU DO.

Maneuverable.

Spartan achieves superior turning radius for significant curb to curb reductions and better maneuverability.

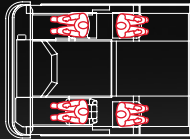
Forward Cab Roof Design.

Forward-roof cab design with a 10" raised roof offers more head room and better line of site.



171" Standard Wheelbase
Available in 1" Increments

6" Front Bumper Extension
24" Optional



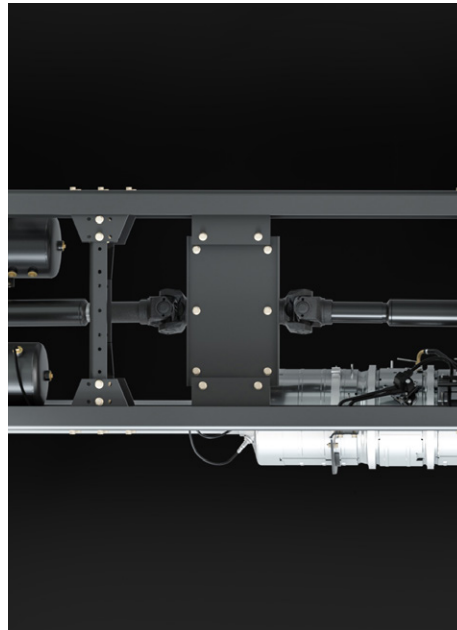
87" Crew Width

More room to customize your storage needs.

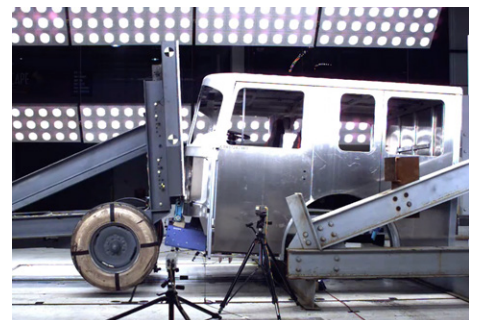
Front axle location delivers superior maneuverability.



CENTRAL A/C & HEAT: Centrally located, the tunnel mount system is designed to deliver superior cooling and heating for the entire crew.



PURPOSE-BUILT: Pump placement is determined to ensure drive-line alignment and durability.



TESTED TO NFPA CRASH STANDARDS:

Third party tested including roof crush, front impact, and side impact testing to ensure the safety of our cabs.



FC-94 Options

GAWR Front 18,000# - 21,500#

GAWR Single Axle Rear 24,000# - 31,500#

GAWR Tandem Axle Rear 40,000# - 48,000#

Cummins 380 HP L9 Engine (standard)

Cummins 450 HP L9 Engine

Aux Engine Brake VG Turbo (standard)

Aux Engine Compression Brake with VG Turbo

Cab Paint Exterior Single Color (standard)

Cab Paint Exterior Two Tone

Multiplexed Wiring System

Load Management System

Variable Speed Fan Clutch (standard)

Engine Pump Heat Exchanger

Engine Exhaust System Under Frame RH Single Module Outboard (standard)

Engine Exhaust System Under Frame RH Single Model Inboard

Midship Pump Jackshaft Only (standard)

Midship Pump OEM Installed w/NO Jackshaft

Front Tire 315/80R 22.5 Cooper Roadmaster RM230 WH (standard)

Front Tire 315/80R 22.5 Goodyear G289 WHA

Front Tire 425/65R 22.5 Goodyear G296 MSA

Rear Tire 11R 22.5 Cooper Roadmaster RM254 (standard)

Rear Tire 11R 22.5 Goodyear Endurance RSA

Rear Tire 12R 22.5 Goodyear G622 RSD

Rear Tire 315/80R 22.5 Goodyear G751 MSA

Front Wheel Accuride 22.5 x 9.00 Steel (standard)

Front Wheel Alcoa LvL One 22.5 x 9.00 Aluminum

Front Wheel Alcoa LvL One 22.5 x 12.25 Aluminum

Front Wheel Accuride 22.5 x 12.25 Steel

Rear Wheel Accuride 22.5 x 8.25 Steel (standard)

Rear Wheel Alcoa LvL One 22.5 x 8.25 Aluminum

Rear Wheel Alcoa LvL One 22.5 x 9.00 Aluminum

Rear Wheel Accuride 22.5 x 9.00 Steel

Brake System ABS Single Axle

Brake System ABS/ATC/ESC Single Axle

Brake System ABS/ATC/ESC Tandem Axle

Brake System ABS Tandem Axle

Front Brakes S-Cam Drum 16.5" x 6" (standard)

Front Brakes Meritor EX225 17" Disc

Frame Single-Channel 34.25" Width (standard)

Frame Double-Channel 35.00" Width

Frame Paint Powder Coat Black (standard)

No Air Horn (standard)

Air Horn 21" Round Hadley E-Tone

Air Horn (2) 21" Round Hadley E-Tone

Air Horn (2) Plumbing Only No Horns

Front Bumper Extension 6" (standard)

Front Bumper Extension 24"

No Front Bumper Discharge (standard)

Front Bumper Discharge 2.0" RH frame Mounting Plumbing

Pedestal Mounted Federal Signal Q2B Mechanical Siren

Climate Control Heater Defroster Front Overhead/Heater A/C Tunnel Mount

Bostrom 300 Series Seats w/Durawear Plus

Power Windows

Power Locks

Siren Control Heads Federal Signal PA300

Siren Control Heads Whelen 295HFS2

No Battery Conditioner (standard)

Battery Conditioner Kussmaul Auto Charge 40 LPC

No Scene Lights (standard)

Side Scene Lights Whelen C9 Series

Side Scene Lights Whelen 900 LED

No Front Scene Light (standard)

Front Scene Light FireTech 72" White

Front Scene Light FireTech 72" Black

Inboard Front Warning Lights Provision (standard)

Inboard Front Warning Lights Whelen C6 LED

Inboard Front Warning Lights Whelen 600 LED

No Cab Front Lightbar (standard)

Cab Front Lightbar Whelen Freedom IV 72"

Cab Front Lightbar Federal Signal Navigator 73"

Warranty Cab and Chassis - 1 Year

Cab Structural Warranty - 5 Years/Unlimited Miles

Frame Warranty - 5 Years/Unlimited Miles

Paint Warranty - 1 Year/100,000 Miles